

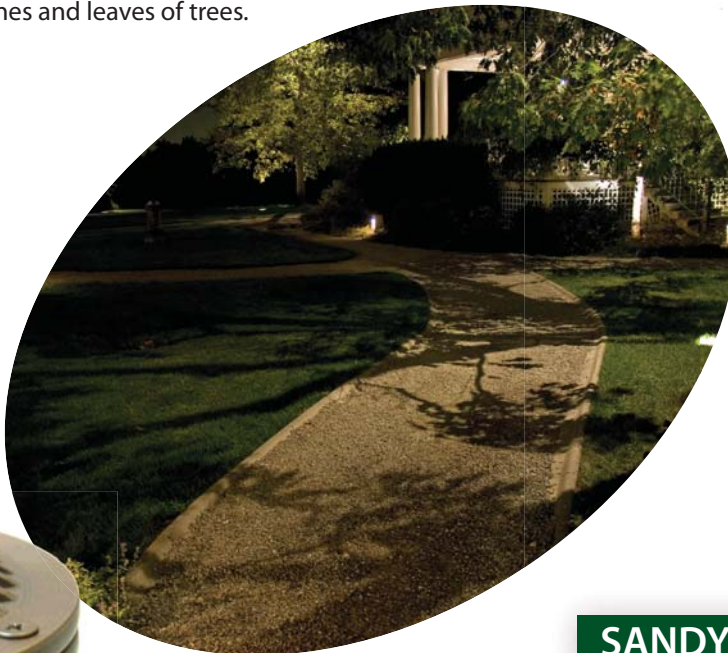
# Professional Grade Tree Mount & Inground Fixtures

## WOODY

To light large or focused activity areas on patios, lawns, arbors, pools, and paths, Woody can be mounted high on trellises, eaves, gazebos, and mature trees.

By placing our weathered brass downlight high in a mature tree or a nearby wall and aiming it through branches or other foliage, you can recreate the appearance of moonlight filtering through tree branches onto the ground or structures below.

Woody's moonlighting casts a soft light and creates interesting shadows as the light filters between the branches and leaves of trees.



## SANDY

Sandy, our weathered brass well light, is designed to be buried in the ground and direct light upward into trees, grasses, and shrubs while hiding the light source.

Hiding our inground fixtures throughout your design will create the right effect without revealing the light source. Where stake mounted lights can create lighting hotspots - drawing the eye directly to the light source, Sandy won't detract attention from the beauty of your overall design.

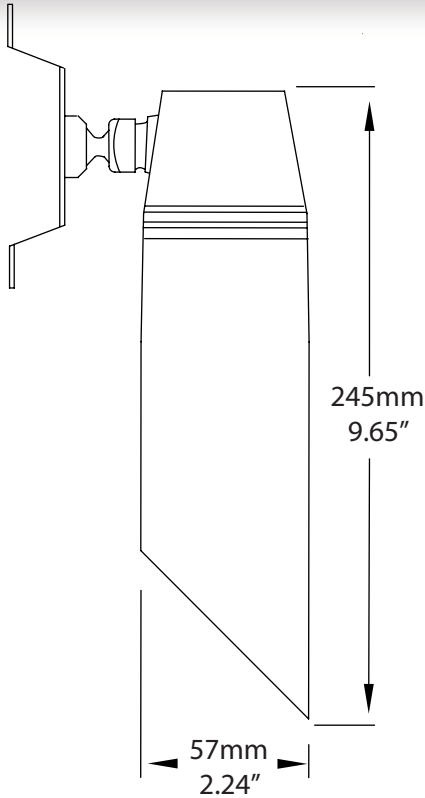
To reduce potential fixture damage from lawnmowers, and other landscape tools, Sandy can be installed flush with the lawn, landscaped or hardscaped surface.

Sandy is especially effective in accenting the shapes of slim trees and tall grasses.



# Professional Grade Tree Mount & Inground Fixtures

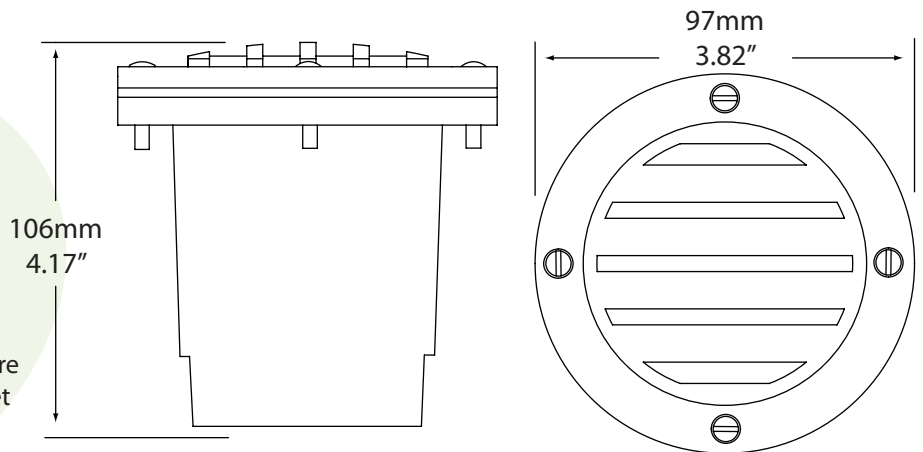
## WOODY



**Voltage:** 12V  
**Construction:** Solid Cast Brass  
**Weight:** 3.00 lbs  
**Finish:** Weathered Red Brass  
**Shroud:** Quick Lock with 360° Rotation  
**Wire:** 36" 18/2 UL Wire Factory Connected Wire  
**Socket:** Beryllium Copper, MR16 GU5.3 socket pre-greased  
**Wattage:** Maximum 20 Watts  
**Lens:** Clear Convex/Flat Tempered Glass  
**Mounting:** Brass Mounting Bracket  
*Lamp Not Included*

## SANDY

**Voltage:** 12V  
**Construction:** Solid Cast Brass  
**Weight:** 2.50 lbs  
**Finish:** Weathered Red Brass  
**Lens Cover:** Louvered  
**Wire:** 36" 18/2 UL Wire Factory Connected Wire  
**Socket:** Beryllium Copper, MR16 GU5.3 socket pre-greased  
**Wattage:** Maximum 20 Watts  
**Lens:** Clear Convex Tempered Glass  
*Lamp Not Included*



### Recommended LED Lamps

<b>LED 6W VWW 15 SP</b>	6W MR16 2700K 15° Spot
<b>LED 6W VWW 45 FL</b>	6W MR16 2700K 45° Flood
<b>LED 6W WW 15 SP</b>	6W MR16 3000K 15° Spot
<b>LED 6W WW 30 NFL</b>	6W MR16 3000K 30° Narrow Flood
<b>LED 6W WW 45 FL</b>	6W MR16 3000K 45° Flood
<b>LED 6W NW 15 SP</b>	6W MR16 4000K 15° Spot
<b>LED 6W NW 45 FL</b>	6W MR16 4000K 45° Flood
<b>LED 6W CW 15 SP</b>	6W MR16 5500K 15° Spot
<b>LED 6W CW 45 FL</b>	6W MR16 5500K 45° Flood
<b>LED 2X WW 15 SP</b>	2X MR16 3000K 15° Spot
<b>LED 2X WW 30 NFL</b>	2X MR16 3000K 30° Narrow Flood
<b>LED 2X WW 45 FL</b>	2X MR16 3000K 45° Flood